



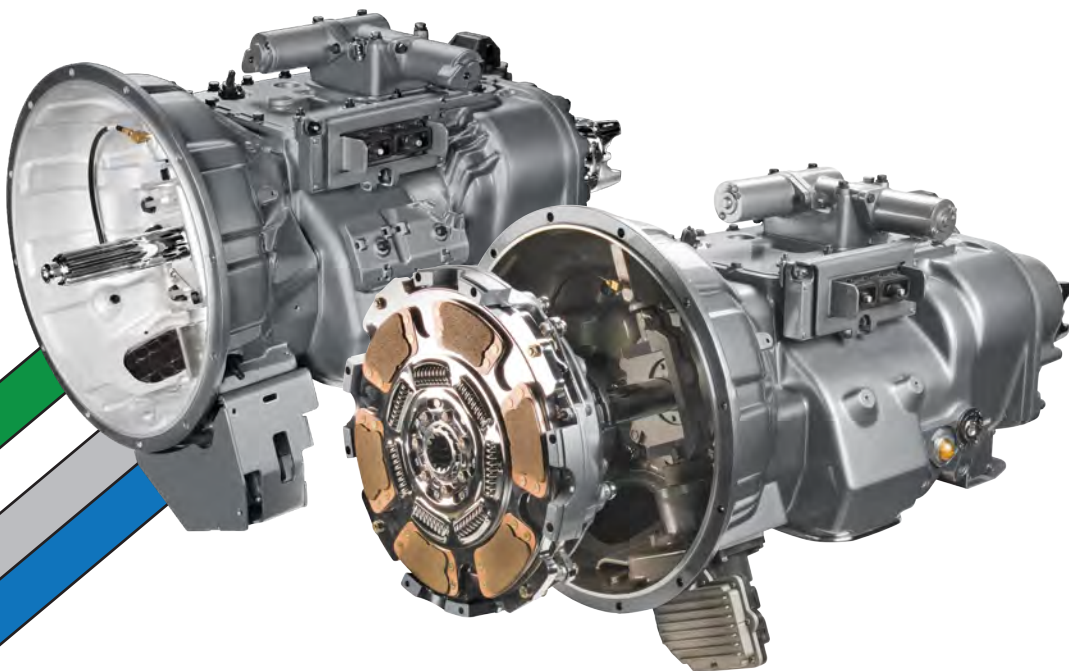
OUR OPTIONS HAVE YOU COVERED

OPTION 1: **ULT ENHANCED**, OPTION 2: **ULT OEM**, OPTION 3: **ULT SAVER**

ADD IT UP!!

Compare and See the Difference

- Expertly remanufactured by highly trained and certified staff on a unit by unit basis; not a repetition-based assembly line
- Each unit is dynamometer tested to ensure they meet strict OEM standards



WHY CHOOSE ULT ENHANCED TRANSMISSIONS:

	ULT ENHANCED	ULT OEM	ULT SAVER	COMPETITOR	
✓	✓	✓	✗		• Complete Fuller bearing kits are used – ALL the bearings are replaced!
✓	✓	✓	✗		• All high load gears are replaced with NEW units REGARDLESS of condition
✓	✓	✓	✗		• Fuller OEM new synchronizers and input shafts
✓	✓	✗	✗		• Fuller OEM new AIR system, valves, fittings and hoses are installed in every unit
✓	✗	✓	✗		• Genuine OEM Eaton Fuller components & ULT Gearing for high load gears
✗	✓	✗	✓		• All standard OEM genuine Eaton Fuller components

LEARN MORE: CONTACT YOUR ULT POWERTRAIN SPECIALIST FOR MORE DETAILS

Mount Pearl
Newfoundland
844.442.0442

Moncton
New Brunswick
844.442.0442

Quebec City
Quebec
844.442.0442

Ottawa
Ontario
613.749.4858

Mississauga
Ontario
833.442.0442

Winnipeg
Manitoba
833.442.0442

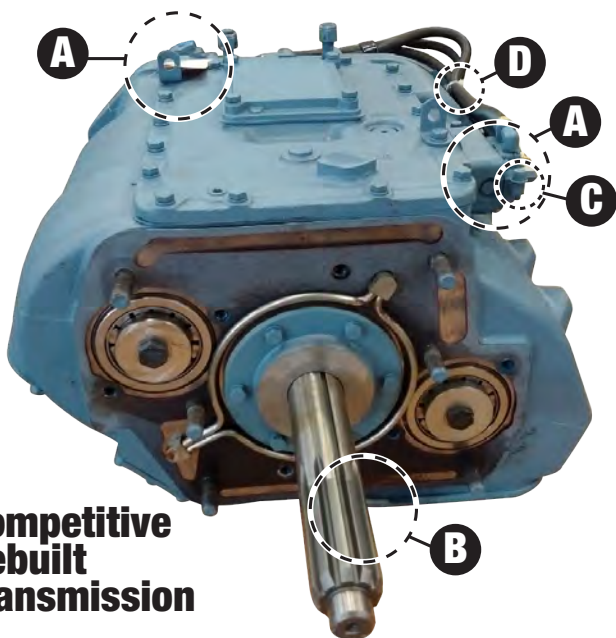
Hours of Operation
7am – 6pm Eastern Time
Monday thru Friday

WE ARE YOUR ONE-STOP DRIVELINE SOURCE SOLUTION! | ULTPOWERTRAIN.COM



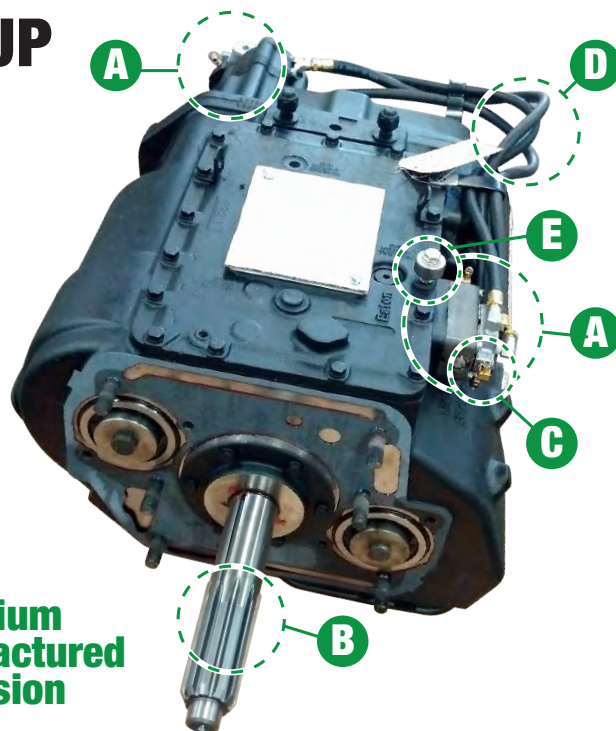
IF WE TAKE THIS MUCH CARE ON WHAT YOU CAN SEE ON THE OUTSIDE, IMAGINE THE QUALITY DIFFERENCE WE PROVIDE ON THE INSIDE!

HOW THE COMPETITION STACKS UP



Competitive Rebuilt Transmission

- A.** Air valves are often reclaimed and painted
- B.** Input shafts are frequently reclaimed
- C.** Fittings may be reclaimed and painted
- D.** Hose assemblies may be reclaimed



ULT Premium Remanufactured Transmission

- A.** Air Valves are replaced with New OE Valves
- B.** New Input Shaft
- C.** All New Fittings
- D.** All new hoses - no exceptions
- E.** New Breather is included

ULT POWERTRAIN REMANUFACTURED UNITS

ULT's powertrain program is second to none. Each technician starts and finishes their transmission or differential by paying attention to every detail. All new original OE synchronizers, air valves, bearings are installed in every unit. All hard parts used are of OEM or better quality.

LEARN MORE: CONTACT YOUR ULT POWERTRAIN SPECIALIST FOR MORE DETAILS

Mount Pearl
Newfoundland
844.442.0442

Moncton
New Brunswick
844.442.0442

Quebec City
Quebec
844.442.0442

Ottawa
Ontario
613.749.4858

Mississauga
Ontario
833.442.0442

Winnipeg
Manitoba
833.442.0442

Hours of Operation
7am – 6pm Eastern Time
Monday thru Friday

WE ARE YOUR ONE-STOP DRIVELINE SOURCE SOLUTION! | ULTPOWERTRAIN.COM